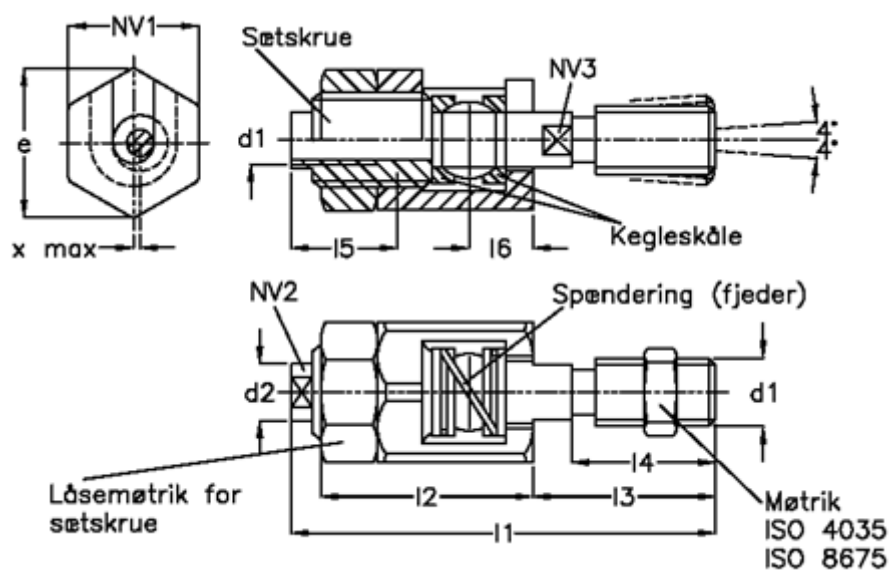


Article number: 20058510

Description: E+G Quick-fit coupling (radial displacement)  
GN 240.2-M8

## Measures



d1 = M 8x1,25	L6	= 11.5
d2 = 15.0	Max displacement	= 0.6
e = 30.0	Max push-pull strength N	= 4500
L1 = 63	NV 1	= 27
L2 = 33	NV 2	= 13
L3 = 23.5	NV 3	= 7
L4 = 18		
L5 = 16		